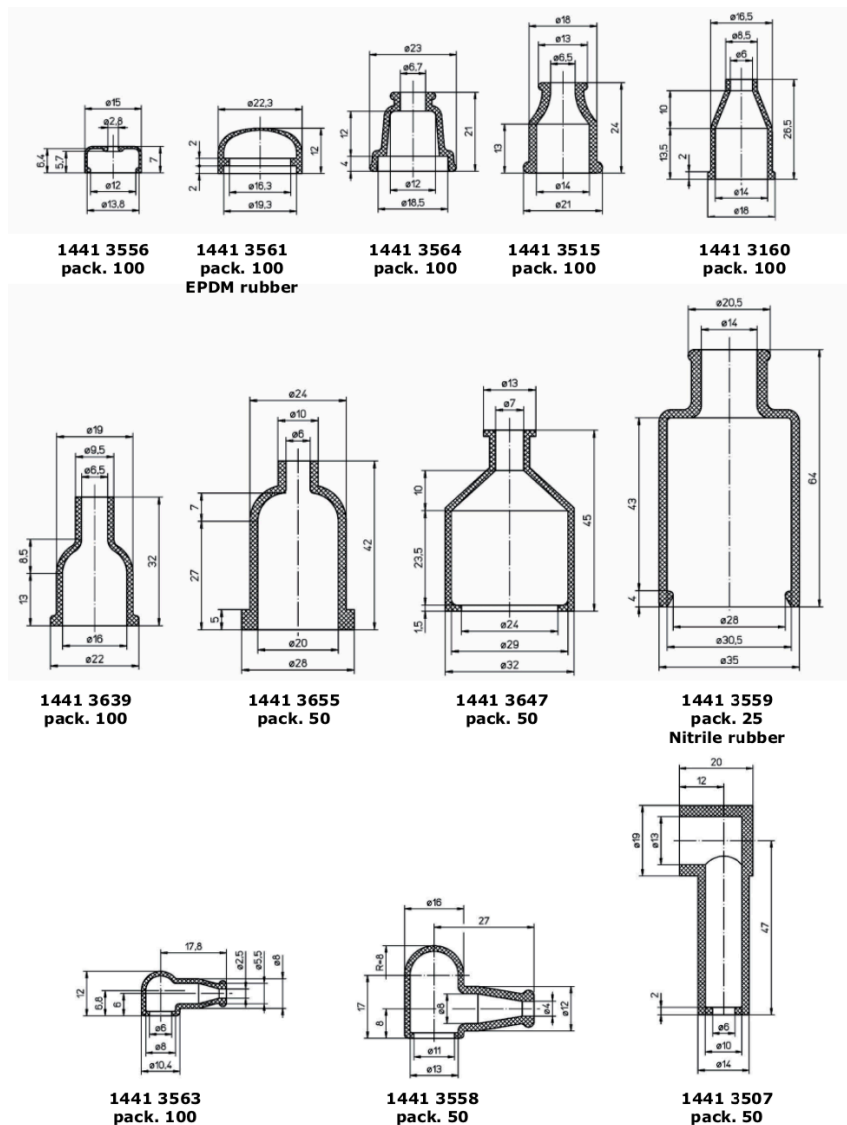
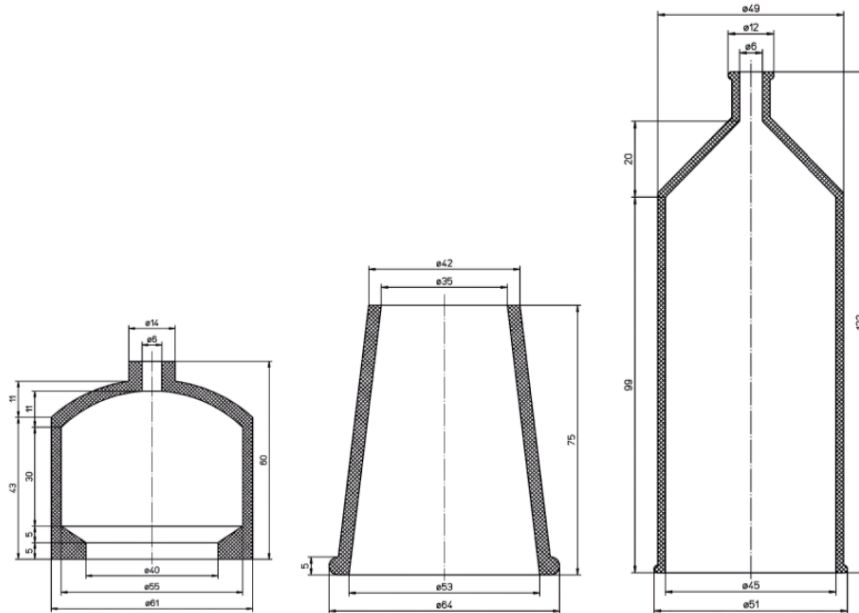


Rubber special mouldings

Material	Polychloroprene rubber (Neoprene)
Operating temperature	-30 °C to +90 °C
Color	Black
Dimensions	mm



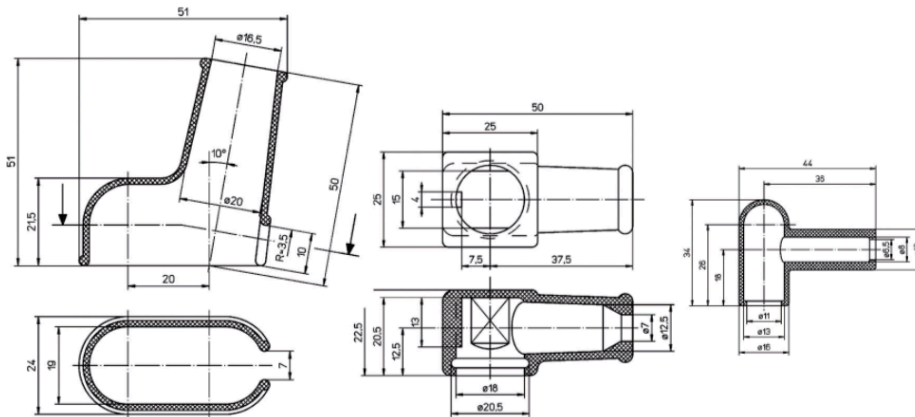
Rubber special mouldings



1441 3540
pack. 25

1441 3523
pack. 25

1441 3562
pack. 25

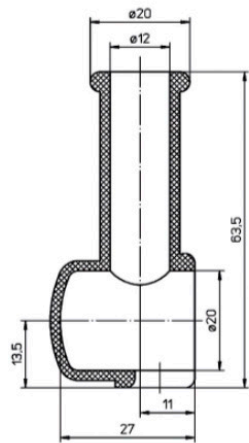
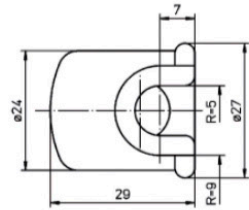


1441 3557
pack. 50

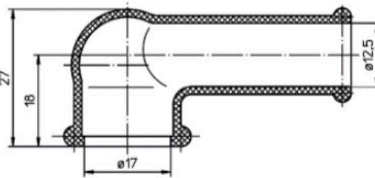
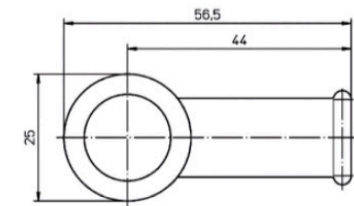
1441 3575
pack. 25

1441 3565
pack. 50

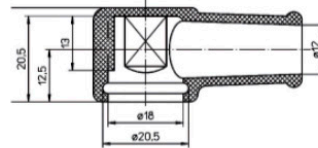
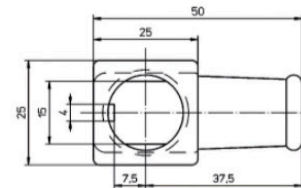
Rubber special mouldings



1441 3590
pack. 25



1441 3580
pack. 25



1441 2830
pack. 25